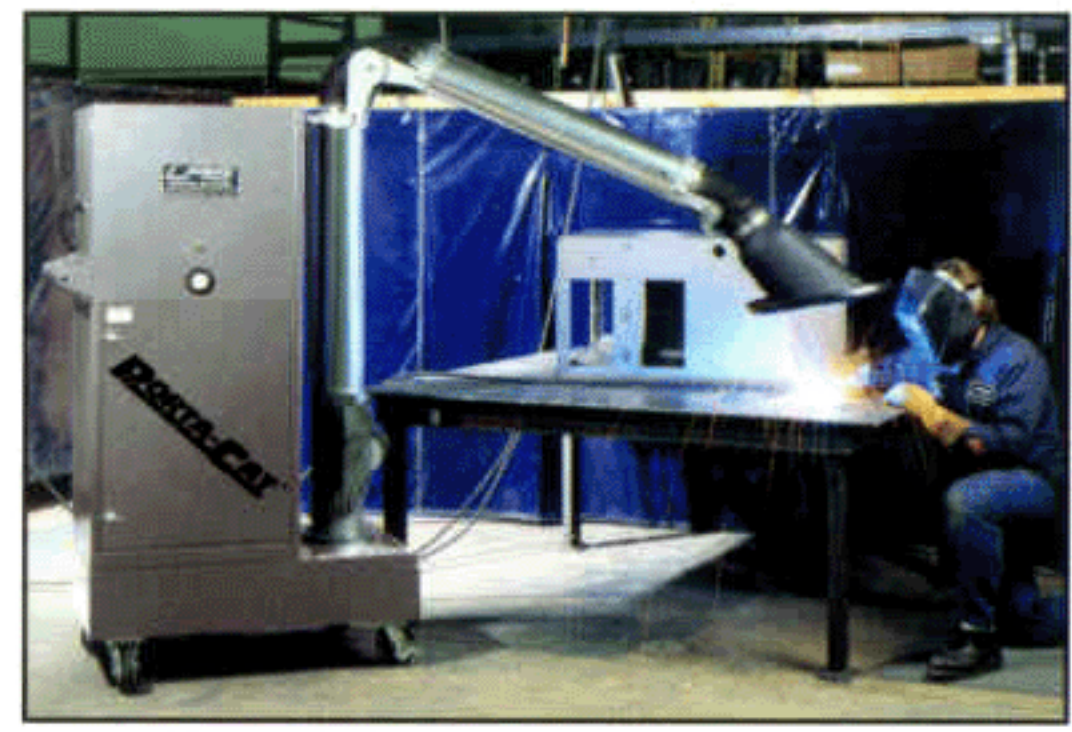


From the makers of SMOG-HOG®, DUST-HOG® and SMOKEETER®

# PORTA-CAT™

The Air Cleaner That Goes Anywhere



## Capture Pollutants At The Source

With Our Economical & Portable Air Cleaner



The Porta-Cat source capture system works to capture smoke, fumes and dust at a greater distance from the point of generation than comparable units with the help of the new Para-vent hood design.

Porta-Cat is versatile. It's lightweight, compact (yet durable) cabinet and industrial grade casters make it easy to move; and the user-friendly 360° handle provides for smooth and precise placement of the hood directly over the source of pollutants.

The source capture swing arm is *externally* supported to prevent any interference with airflow. The upward airflow pattern encourages natural drop-out of large particles before they enter the primary filter. An integral large-capacity, removable dust drawer holds twice as much dust as other portable units, so the operator doesn't need to empty the dust collector as often.

Porta-Cat offers multiple filtration technologies and efficiencies (up to 99.9%) to fit your specific pollution control needs. Its media surface collection area is up to 30% greater than the industry standard, meaning fewer filter changes and more economical filtration.

Porta-Cat is a low maintenance unit with easy access to filtration components, which are easy to replace. The *standard* Minihelic® Gage indicates filter condition, allowing the operator to maintain peak airflow and efficiency. Porta-Cat helps you meet OSHA requirements for employee health and safety by removing contaminants before they enter a worker's breathing zone.

## Applications ▶

Porta-Cat is an ideal filtration solution for the following applications:

- ▶ Welding
- ▶ Brazing
- ▶ Soldering
- ▶ Dry Machining
- ▶ Laser Cutting
- ▶ Plasma Cutting
- ▶ Odors
- ▶ Fugitive Dust
- ▶ Plastic Dust
- ▶ Rubber Dust
- ▶ Powders
- ▶ Dry Chemicals
- ▶ Carbon Dust
- ▶ Sanding Dust
- ▶ Oil Smoke & Mist

## ▶ Our Para-vent™ Hood Pulls Harmful Pollutants Out of the Air



▶ Our exclusive hood design helps make the Porta-Cat even more effective in the capture and collection of dust, smoke and other dry process pollutants. The Para-vent hood can collect smoke at a greater distance than any other hood design.



▶ Standard hood design without parabolic opening and inlet flange allows smoke bypass .

**Para-vent™**  
Captures Dirty Air at the Source

# Specifications

**Cabinet Dimensions:** 65" H x 24-1/2" W x 39" D

**Weight:** 297 lbs. actual; 450 lbs. shipping

**Construction:** 16 gauge Polyurethane Painted Steel Cabinet with Removable Dust Drawer, 5" diameter Front Fixed and 5" diameter Rear Swivel Casters

**Arm Assembly:** 6" diameter x 10' long *externally* supported with Para-vent Source Capture Hood and Positioning Handle

**Prefilter:** 24" x 24" x 4" Pleated Filter, 35% average efficiency\*

**Primary Filter:** 24" x 24" x 29", 8-pocket, 95% average efficiency\*, 90 sq. ft. of media

**Airflow:** 800 CFM Nominal (1,000 CFM with 8" arm)

**Motor:** 1HP, TEFC 115/1/60

**Noise Level:** < 75 dba at 3'

**Controls:** On/Off Switch on Cabinet, 10' Power Cord

**Filter Access:** Side Load, Hinged Door

**Filter Monitor:** 0 - 5" Minihelic® Gage

**Dust Pan:** 2 cu. ft. Removable Drawer

*United Air Specialists, Inc. reserves the right to change design or specifications without notice.*

# Options

## Hood Mounted Light Kit/Controls:

50 watt Quartz Halogen Hood Light Kit with Transformer and Hood Mounted Controls

**Prefilter:** 24" x 24" x 2" Oil Impingement Baffle filter, and 24" x 24" x 2" Aluminum Mesh Prefilter

## Primary Filter:

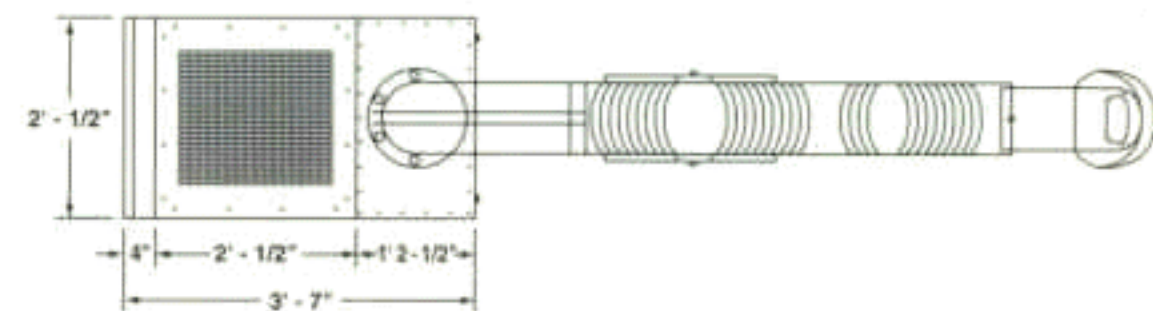
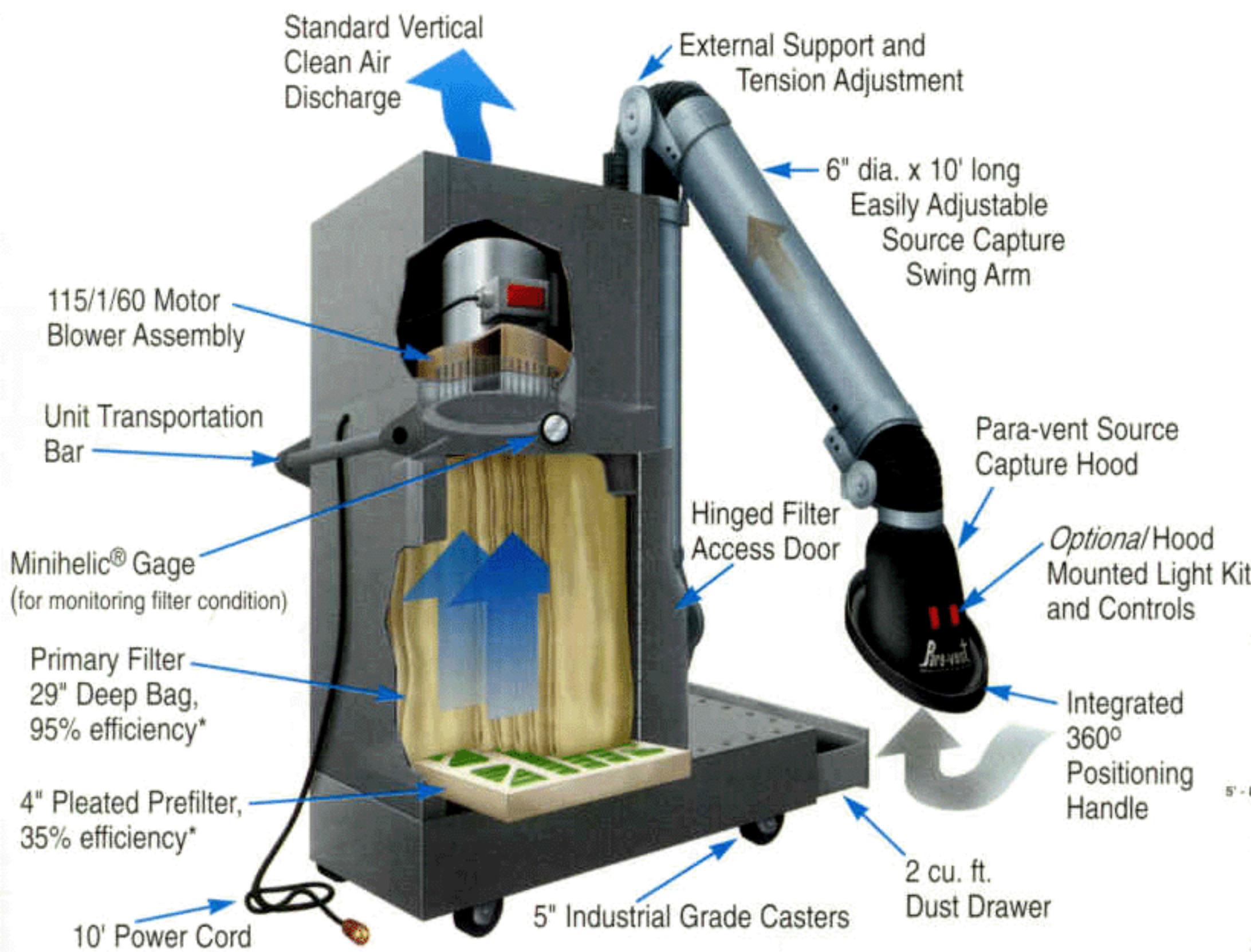
- ▶ 95% bag – 22", 8-pocket, 66 sq. ft. of media
- ▶ 65% bag – 29", 8-pocket, 90 sq. ft. of media
- ▶ 65% bag – 22", 8-pocket, 66 sq. ft. of media
- ▶ 95% oil bag – 29", 8-pocket, 90 sq. ft. of media
- ▶ HEPA – 6"
- ▶ Carbon – 6", 36 lbs.

## Motor:

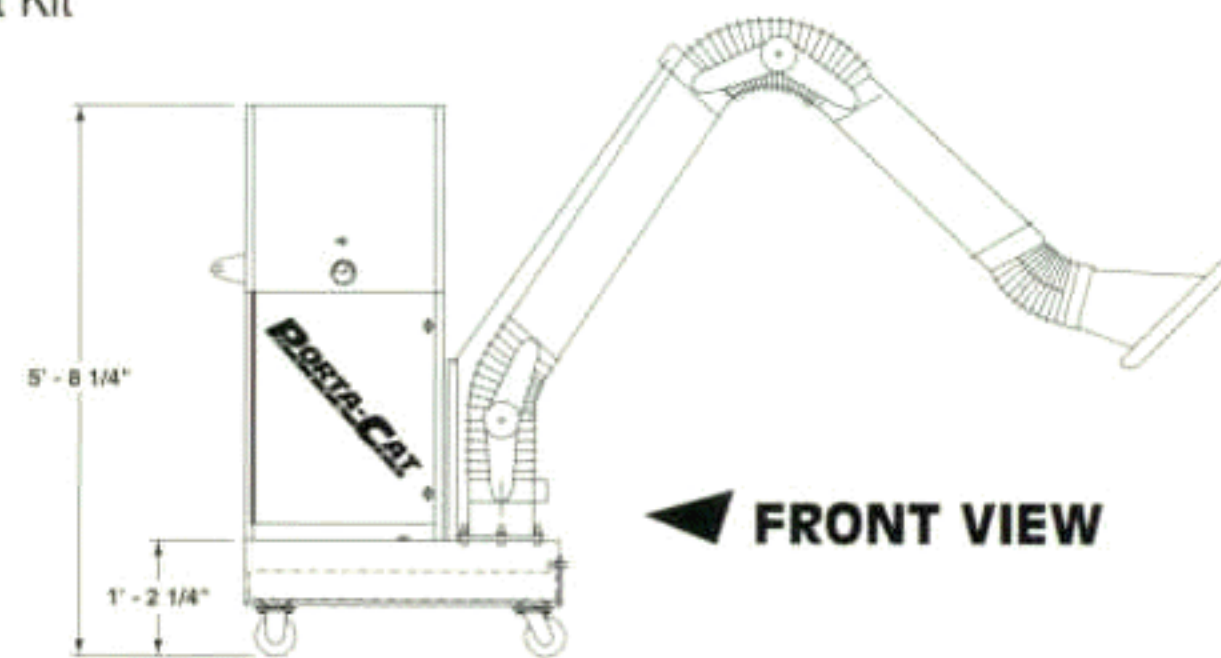
- ▶ 1HP, 3-phase Motor
- ▶ 2HP, 3-phase Motor

## Swing Arm:

- ▶ 8" diameter, 7' long arm
- ▶ 8" diameter, 10' long arm
- ▶ 8" diameter, 14' long arm
- ▶ 6" diameter, 7' long arm
- ▶ 6" diameter, 14' long arm
- ▶ Inlet Collar in place of Swing Arm



▲ TOP VIEW



◀ FRONT VIEW

## Porta-Cat Principle of Operation

The Porta-Cat portable air cleaner collects smoke and dust directly at the source. The dirty air is pulled through the swing arm entering the system through the exclusive parabolically-designed Para-vent source capture hood. Pollutants are drawn through the externally supported swing arm, directing the dirty air vertically downward into the cabinet plenum. Before entering the first filtration stage, the dirty air makes a 180° turn creating an upward airflow pattern. The change in airflow direction causes drop-out of heavier solid particles into the removable dust drawer. The dirty air is then pulled through the first filtration stage where a 4" pleated prefilter rated at 35% efficiency\* removes smaller particles. At the second filtration stage, a 29" deep extended surface bag filter rated at 95% efficiency\* collects smaller and sub-micron particles. Clean air is then discharged back into the workspace through the top outlet of the unit.



\*All efficiencies per ASHRAE Standard 52.1-92